

INTERIOR WALL SYSTEMS

6200
Series



SEMI-FRAMELESS WALL PARTITION SYSTEM

LINEAR
INTERIOR SYSTEMS INC.

TABLE OF CONTENTS

- 1. OVERVIEW 4
- 2. SPECIFICATIONS 6
- 3. SYSTEM ELEVATIONS 10
- 4. SYSTEM CONNECTIONS 14
- 5. DOOR & HARDWARE OPTIONS 16
- 6. SYSTEM COMPONENTS 22



OVERVIEW

Linear Interior Glass Wall Systems bring the benefits of glass to your work place; among of which are transparency, efficiency, daylighting, versatility, space saving, and low cost of ownership.

Our systems come in a range of sleek designs and configurations, allowing you to build the system which matches your project's functional and aesthetic requirements. From the initial idea to completion; architects, contractors, and installers will find Linear to be a competent partner. We invite you to discover the wealth of individual scenarios that can be served by our Interior Glass Wall Systems. Be inspired with the intelligent solutions and design ideas for use in your own projects.

Design:

6200 Series is a semi-frameless glass wall system that creates simple and elegant fronts with extended transparent sight lines. The combination of glass and metal creates a sleek and versatile design that accommodates both swinging and sliding doors. Workspaces that present difficult space challenges or serve multiple functions can benefit from the consistent look and flexibility of this innovative system

Applications:

6200 Series Semi-Frameless Glass Wall Systems are ideal for:

- Office fronts
- Small conference rooms
- Spaces requiring a mix of swinging and sliding doors





SPECIFICATIONS

GLASS PANELS:

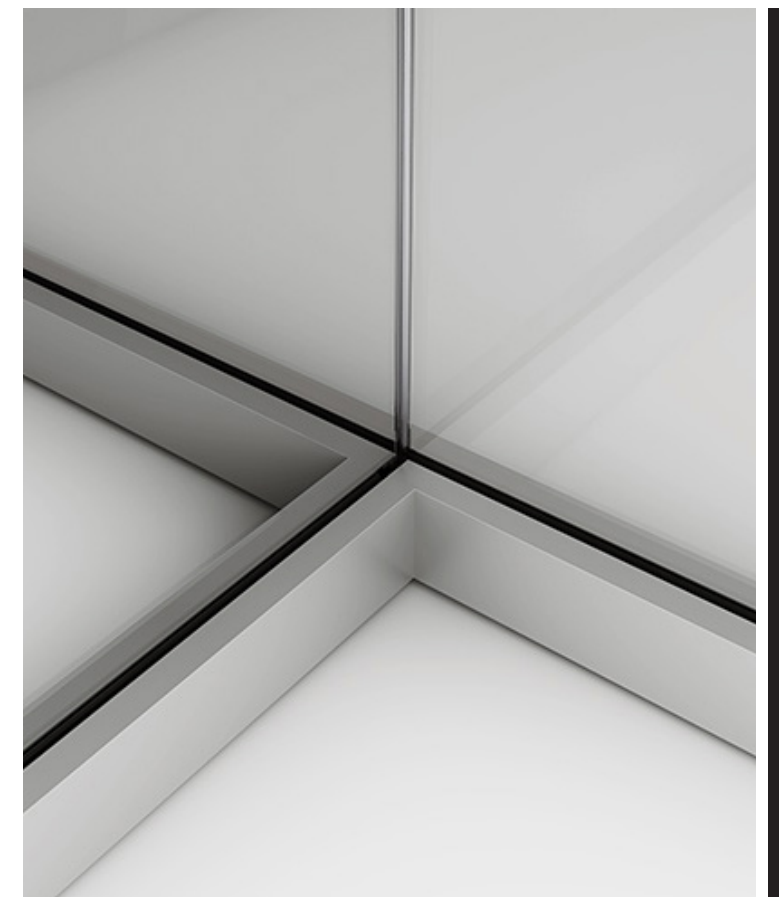
- **Thickness:** (Standard) 10 mm
(Optional) 12mm
- **Material:** Fully Tempered glass
- **Color:** (Standard) Clear
(Optional) Transparent Gray,
Transparent Bronze, or Frosted
- **Panel width:**
(Standard) 2' (610mm), 3' (910mm), or
4' (1200mm)
(Optional) Non standard sizes
- **Panel height:**
(Standard) 7' (2130mm), 8' (2440mm)
or 9' (2740mm)
(Optional) Non standard sizes

METAL FRAMES:

- **Thickness:** 85mm overall
- **Material:** Aluminium
- **Color:** (Standard) Anodized matte
black
(Optional) Anodized clear
- **Profile:** Extruded aluminum end stiles,
connectors, header and sill assemblies
Intermediate panels are held from
the top and bottom assemblies
and silicone seals are provided for
inbetween panels

SEALS

- **Material:** Silicone gasket retainer
between glass panels and metal frame
- **Color:** Black



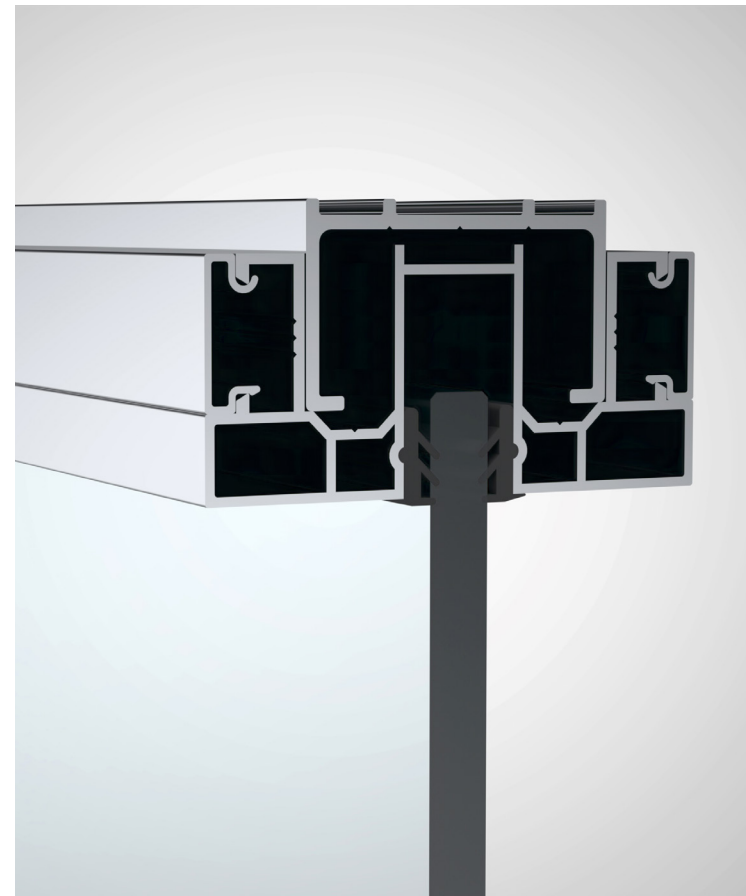
SPECIFICATIONS CONT.

DOORS (SWING):

- **Mechanism:** Swinging Doors
- **Material:**
 - (a) **Framed glass door:** Matching the glazed partition material, color and thickness
 - (b) **Frameless glass door:** 10mm tempered glass, matching the glazed partition color
 - (c) **Wood door:** 44mm thick, honeycomb wood panel, veneered with laminated finish
- **Door width:**
(Standard) 3' (910mm), or 3'-2" (965mm)
- **Door height:**
(Standard) 7' (2130mm), 8' (2440mm) or 9' (2740mm)

DOOR HARDWARE (SWING):

- **(a) Framed Glass Door:**
(Standard) Door will be provided with 3 hinges 4 1/2" X 4", 2 ball bearing, deadbolt lock with cylinder, roller catch, and pull handle
(Optional): Deadlatch lock with leverset, and pivot hinges
- **(b) Frameless Glass Door:**
(Standard) Door will be provided with top patch fitting, hydraulic bottom patch fitting, and lockset with magnetic strike
(Optional) Non-locking pull handle, or pull handle with floor locking feature
- **(c) Wood Door:**
(Standard) Door will be provided with 3 hinges 4 1/2" X 4", 2 ball bearing, and mortise lock with cylinder and leverset
(Optional) Different styles of leverset



DOORS (SLIDING):

- **Mechanism:** Sliding Doors
(available in single or double panels)
- **Material:**
 - (a) **Framed glass door:** Matching the glazed partition material, color and thickness with aluminium track and roller system
 - (b) **Wood door:** 44mm thick, honeycomb wood panel, veneered with laminated finish and aluminium track and roller system
- **Door width:**
(Standard) 3' (910mm), or 3'-2" (965mm)
- **Door height:**
(Standard) 7' (2130mm), 8' (2440mm) or 9' (2740mm)

DOOR HARDWARE (SLIDING):

- **Track:** Extruded aluminum track assembly designed for operation, size and weight of glass panel door. Track can be ceiling surface, or partition side mounted
- **Carriers:** Trolley system designed for operation, size, and weight of glass panel door, with ball-bearing wheels
- **Handle:** (Standard) Colombo® design: Ellesse, matte black finish
(Optional) other hardware brands, designs / finishes
- **Pull handles:** (Optional) CBH 6039
- **Latch:** (Standard) roller latch
- **Lock:** (Optional) narrow style dead latch (latch cylinder?)
- **Strike:** (Standard) Roller ball catch satin stainless steel
(Optional) ASA strike for dead latch



SYSTEM ELEVATIONS

The 6200 Series Aluminium Semi-Frameless Glass Wall System comes in standard modular assemblies that are categorized based on height (7ft, 8ft and 9ft) and layout (stand-alone semi-frameless full glass panels and semi-frameless full glass panels with sliding or swing doors). Showcased are the readily available system elevations to select from based on your project requirements. However, other non-standard assemblies and sizes are also available.

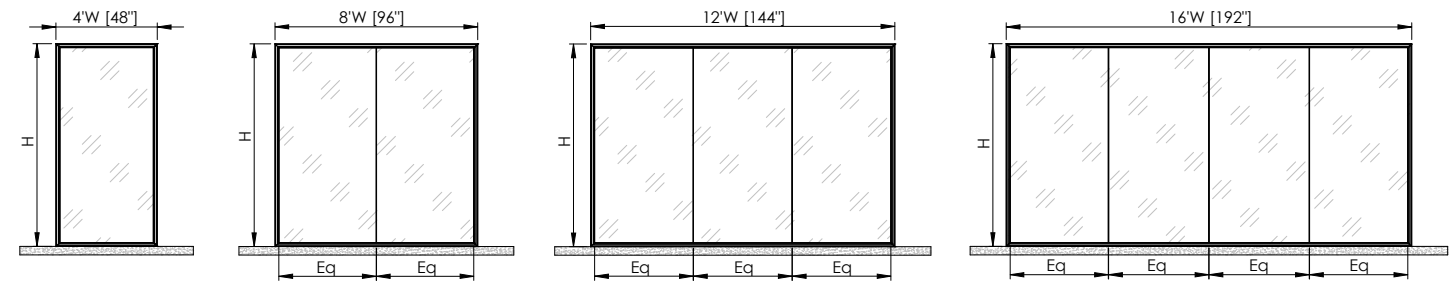


Semi-Frameless Panel Only Systems

Standard length of the system is shown below in 4ft, 8ft, 12ft and 16ft. Standard heights of the system are available in 7ft, 8ft and 9ft.

Full Panel System

Nominal Height (H): 7ft / 8ft / 9ft
 Nominal Width: 4ft / 8ft / 12ft / 16ft



Model: 6270FA1
7' H x 4' W
Model: 6280FA1
8' H x 4' W
Model: 6290FA1
9' H x 4' W

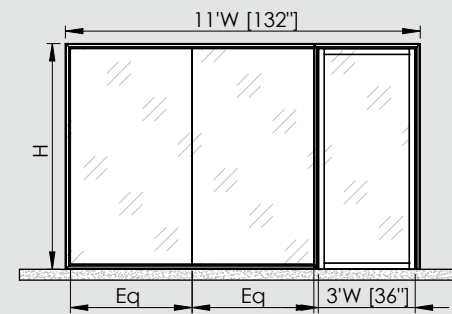
Model: 6270FA2
7' H x 8' W
Model: 6280FA2
8' H x 8' W
Model: 6290FA2
9' H x 8' W

Model: 6270FA3
7' H x 12' W
Model: 6280FA3
8' H x 12' W
Model: 6290FA3
9' H x 12' W

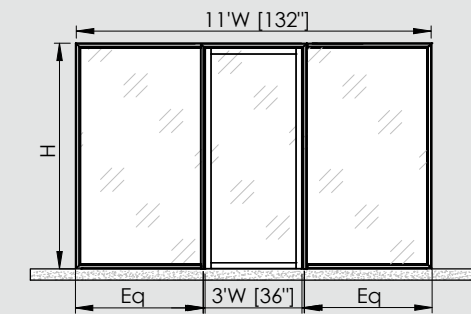
Model: 6270FA4
7' H x 16' W
Model: 6280FA4
8' H x 16' W
Model: 6290FA4
9' H x 16' W

Optional:

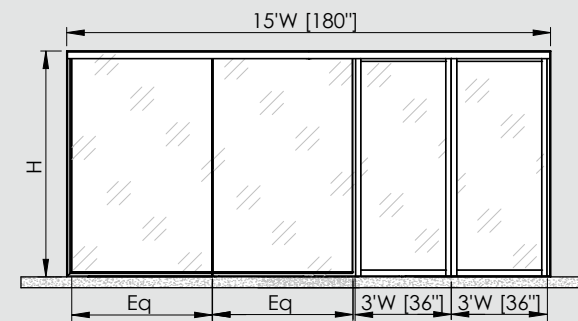
Door location can be placed in various scenarios for both sliding and swing door.



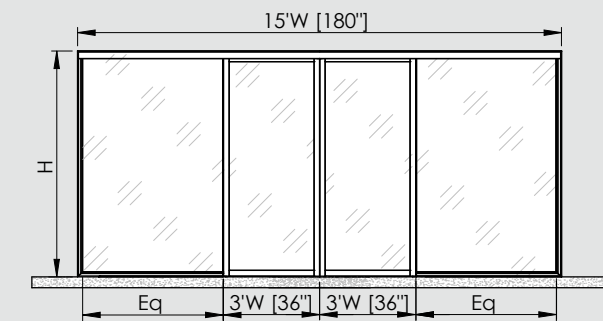
Single Doorway (Left End / Right End)



Single Doorway (Center)



Double Doorway (Left End / Right End)



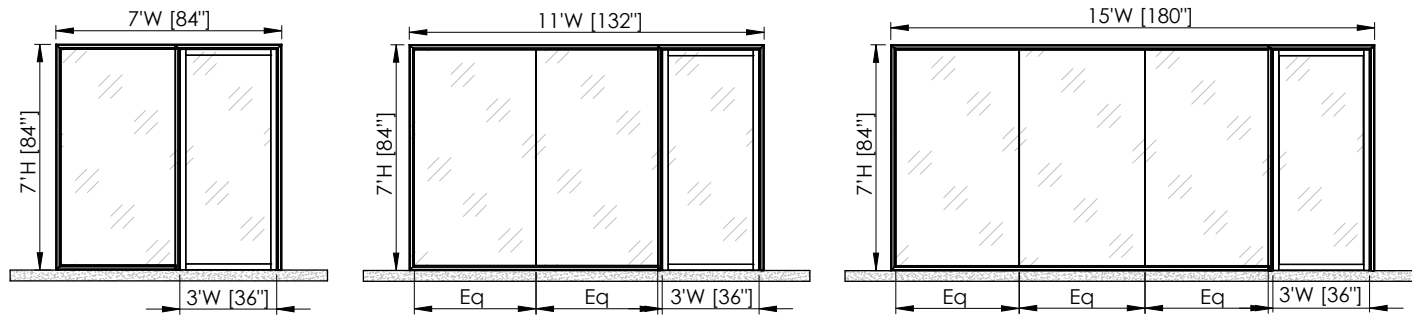
Double Doorway (Center)

7 Feet, 8 Feet & 9 Feet Height Semi-Frameless System with Swinging Door

Systems are built around the standard door size which is 3ft (36") x Height of the system: 7ft (84"), 8ft (96") & 9ft (108"). Standard length of the system is shown below in 7ft, 11ft and 15ft.

7 Feet Full Panel System

Nominal Height: 7ft | Nominal Width: 7ft / 11ft / 15ft



Model: 6270A1
7' H x 7' W

Model: 6270A2
7' H x 11' W

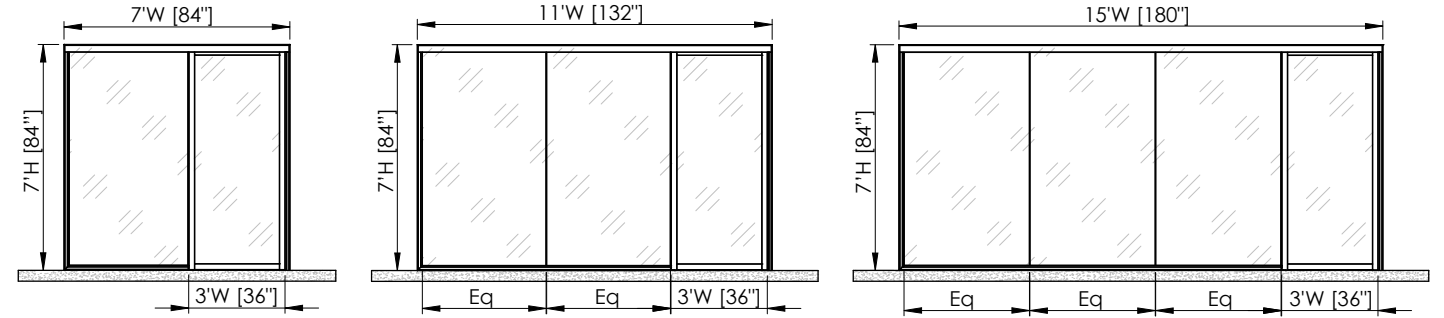
Model: 6270A3
7' H x 15' W

7 Feet, 8 Feet & 9 Feet Height Semi-Frameless System with Sliding Door

Systems are built around the standard door size which is 3ft (36") x Height of the system: 7ft (84"), 8ft (96") & 9ft (108"). Standard length of the system is shown below in 7ft, 11ft and 15ft.

7 Feet Full Panel System

Nominal Height: 7ft | Nominal Width: 7ft / 11ft / 15ft



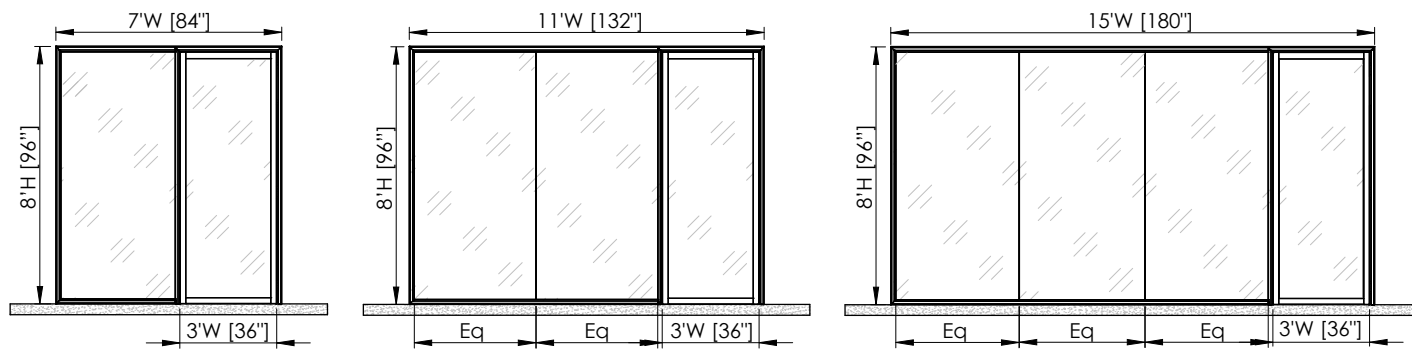
Model: 6270B1
7' H x 7' W

Model: 6270B2
7' H x 11' W

Model: 6270B3
7' H x 15' W

8 Feet Full Panel System

Nominal Height: 8ft | Nominal Width: 7ft / 11ft / 15ft



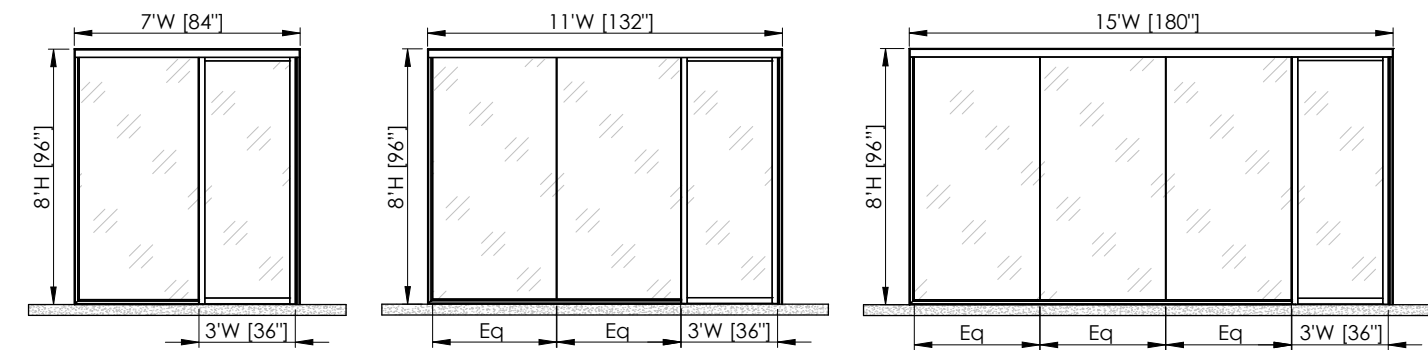
Model: 6280A1
8' H x 7' W

Model: 6280A2
8' H x 11' W

Model: 6280A3
8' H x 15' W

8 Feet Full Panel System

Nominal Height: 8ft | Nominal Width: 7ft / 11ft / 15ft



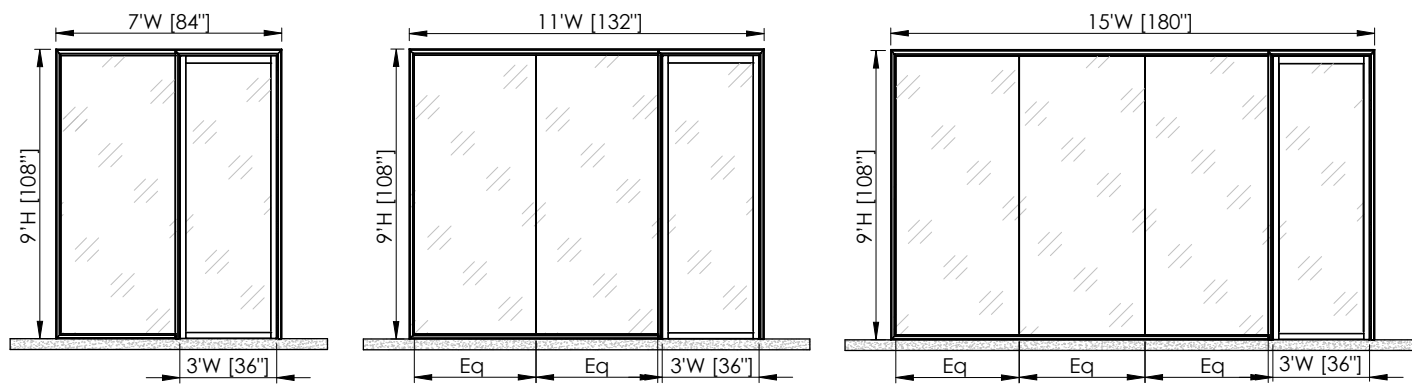
Model: 6280B1
8' H x 7' W

Model: 6280B2
8' H x 11' W

Model: 6280B3
8' H x 15' W

9 Feet Full Panel System

Nominal Height: 9ft | Nominal Width: 7ft / 11ft / 15ft



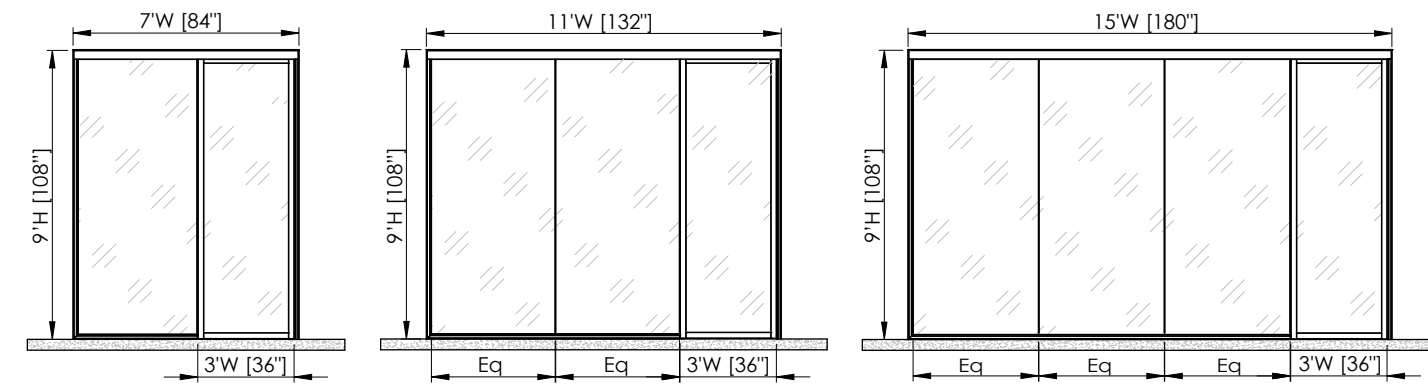
Model: 6290A1
9' H x 7' W

Model: 6290A2
9' H x 11' W

Model: 6290A3
9' H x 15' W

9 Feet Full Panel System

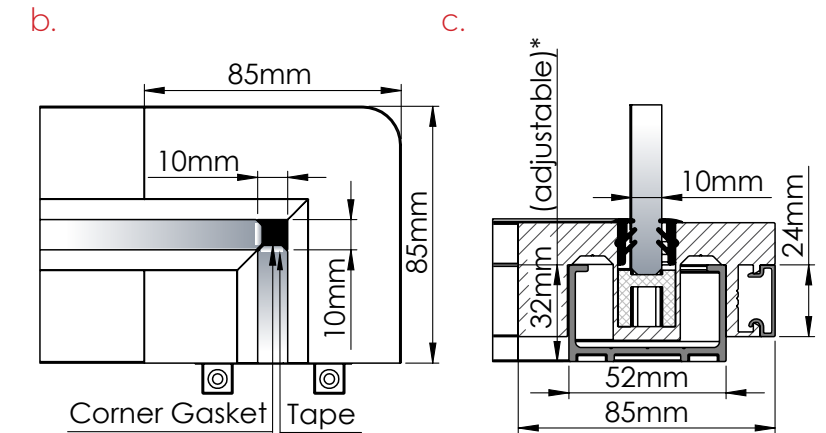
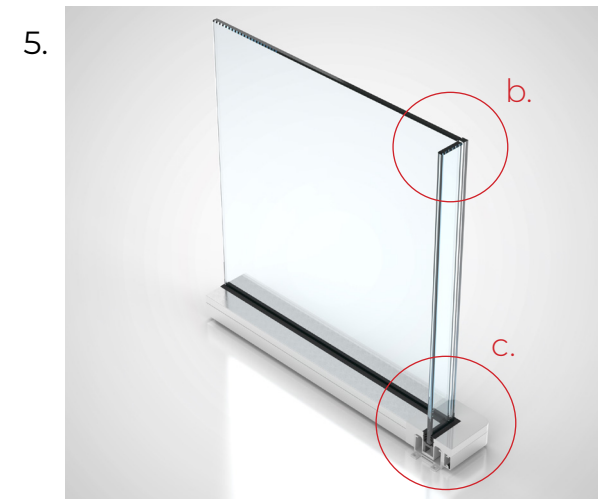
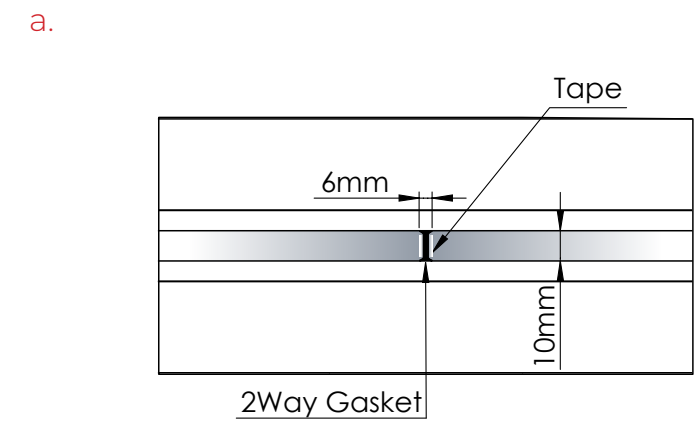
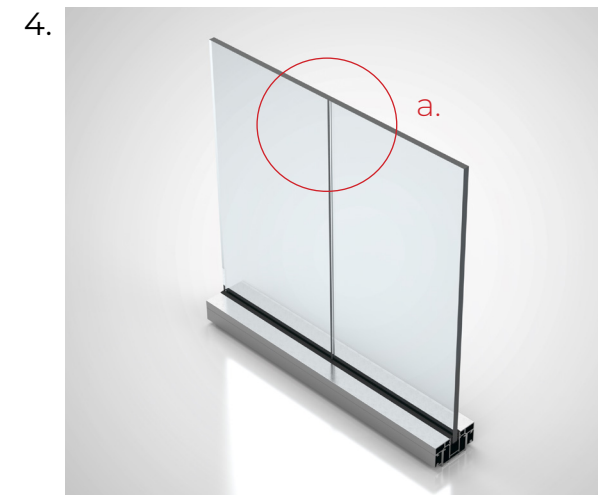
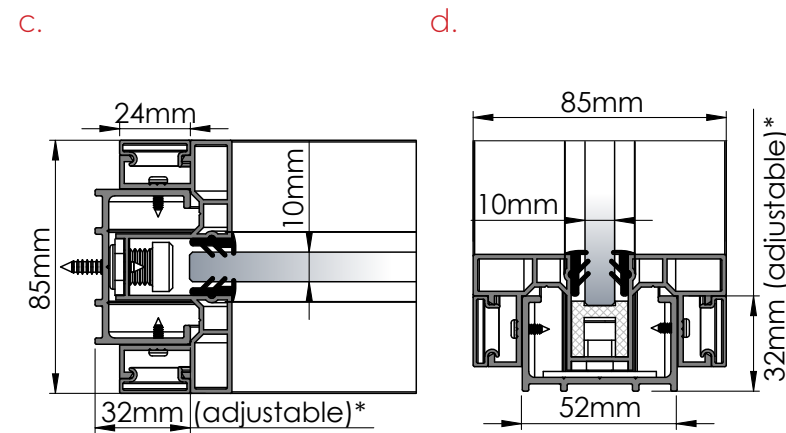
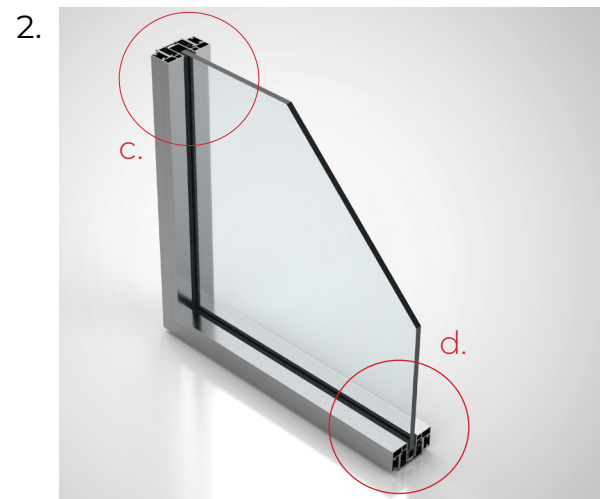
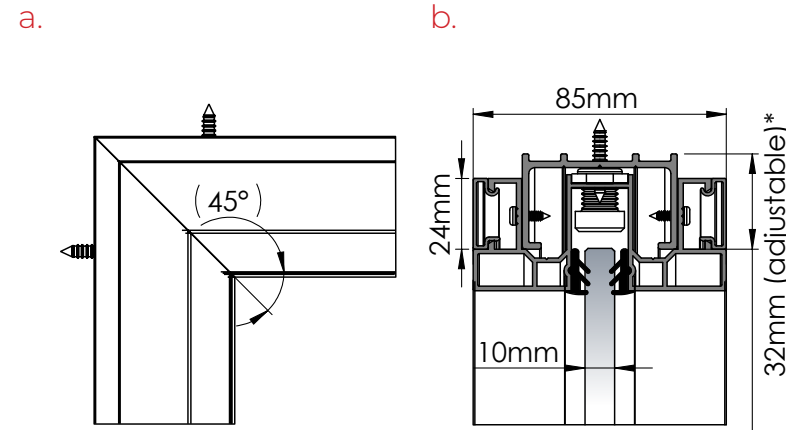
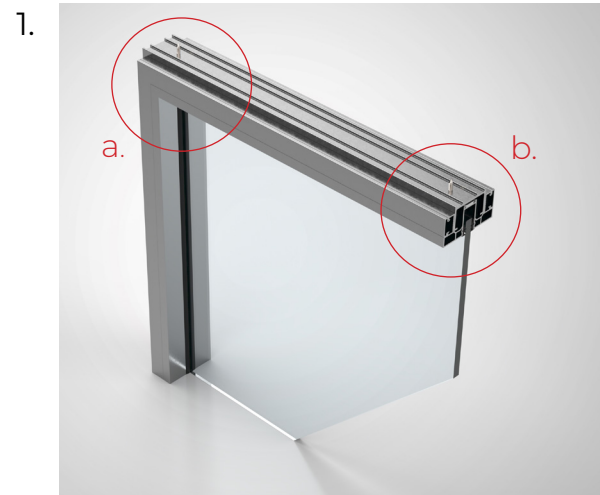
Nominal Height: 9ft | Nominal Width: 7ft / 11ft / 15ft



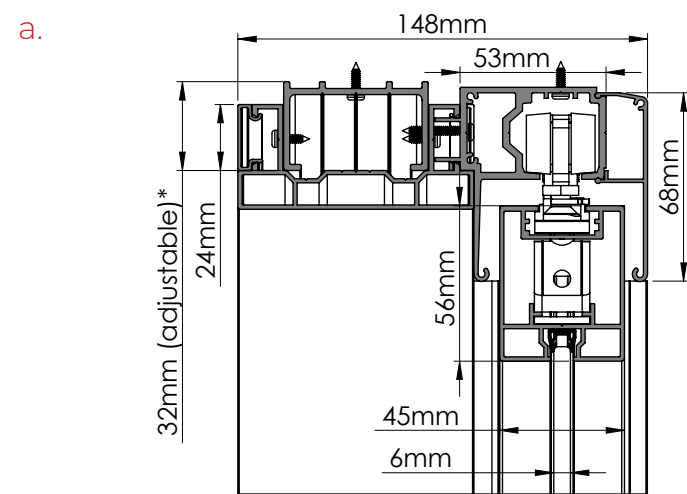
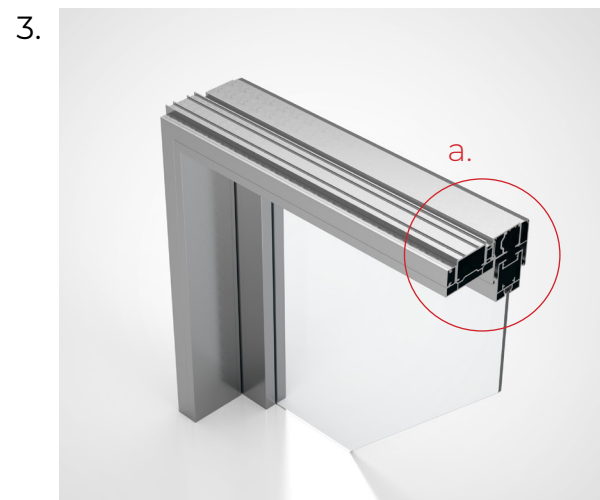
Model: 6290B1
9' H x 7' W

Model: 6290B2
9' H x 11' W

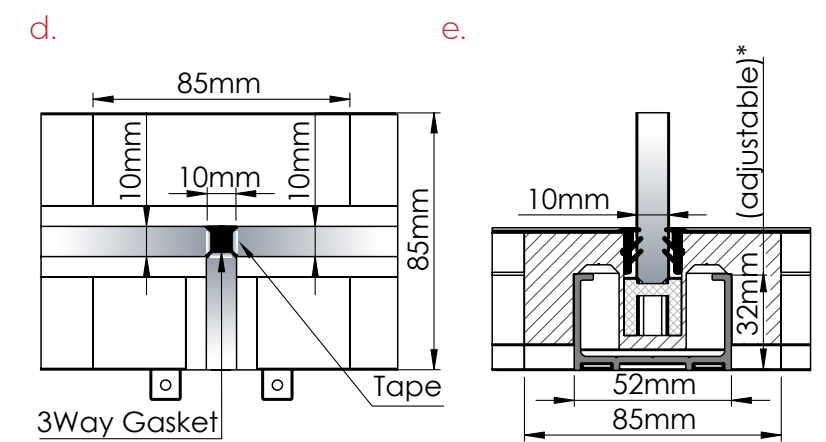
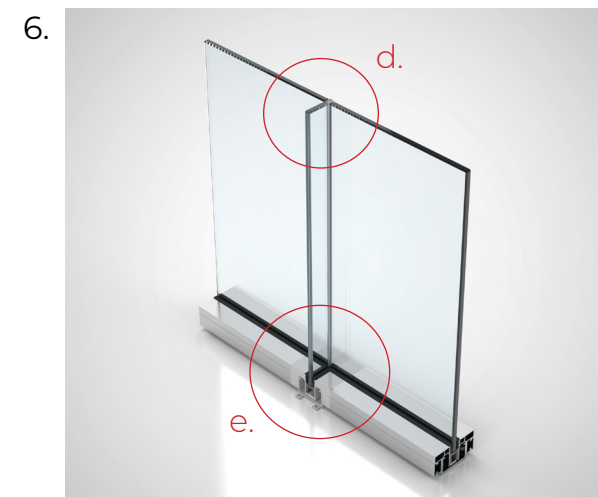
Model: 6290B3
9' H x 15' W



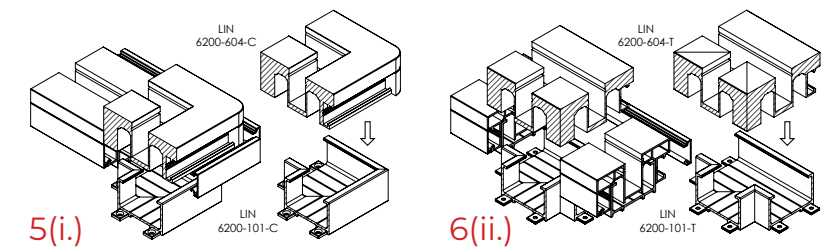
Detailed drawings of wall, floor and top starter of 6200 Series wall system. Starters are *adjustable to +19mm to ensure system will be installed level and square if existing rough opening surfaces are uneven.



Detailed drawing of sliding track attachment. LIN 6200-801 is designed to allow the 6200 series to have the option for sliding doors to be installed into the existing system easily. The sliding track is attached to the starter and screwed in, with fascias & end caps covering the screws for a clean finish to the system.



Various frameless connections: standard glass to glass (4a), corner connection (5a), and 3-way (6a). Specialized clear gaskets are used for a seamless finish. Corner and 3-way systems come with brackets for track continuation [figure. 5(i.) and 6(ii.)]

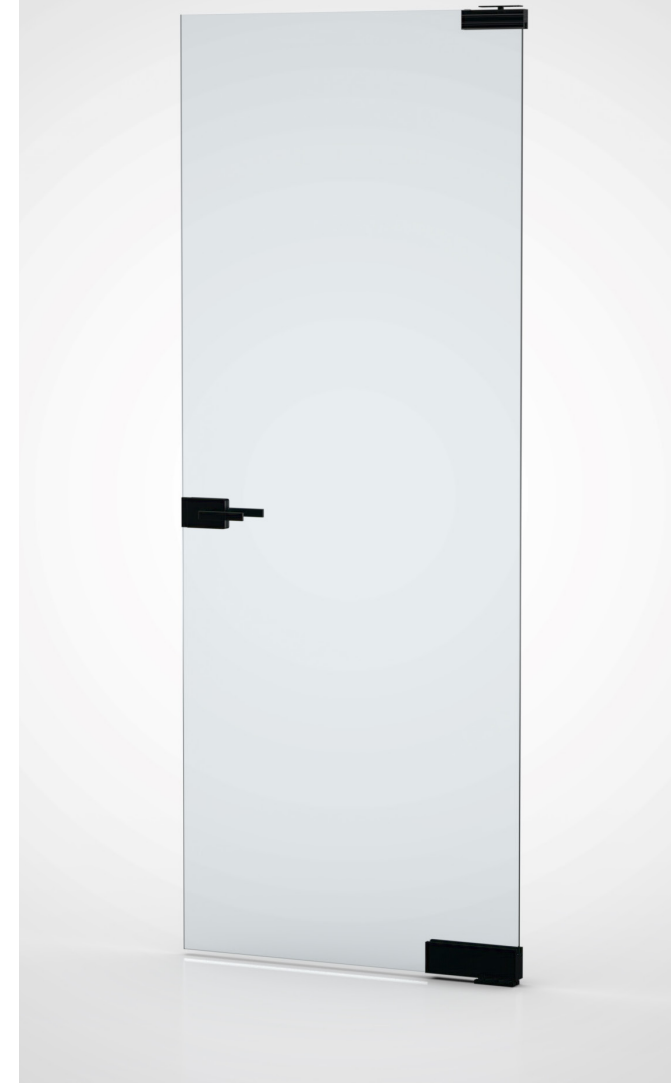


DOOR AND HARDWARE OPTIONS

1. Frameless Glass Doors (Pivot)
2. Aluminium Framed Glass Door (Swing)
3. Aluminium Framed Glass Door (Sliding)
4. Wood Door (Swing)
5. Wood Door (Sliding)



1. FRAMELESS GLASS DOOR (PIVOT)



Standard Door

- 10mm Tempered glass
- Size: 36-38" W x 84" H

Standard Door Hardware:

- 1/set. Top patch fitting
- 1/ea. Hydraulic bottom patch fitting
- 1/set. Lock and Magnetic strike

Standard Glass Finish:



Clear



Optional Door

- 12mm tempered glass
- Size: 36-38" W x Up to 96" H

Optional Door Hardware:

- 1/set. Non-locking Pull Handle
- 1/set. Pull handle with locking function
- Various sizes for pull handles available

Optional Glass Finish:



Transparent
Grey



Transparent
Bronze



Frosted

2. ALUMINIUM FRAMED GLASS DOOR



(SWING)

Standard Door

- 6mm laminated glass and Extruded aluminium frame composed of stiles, rails and retainers
- Sizes: 36-38" W x 84" H

Door Hardware:

- 3/ea. Standard weight, 2 ball bearing, steel hinges (4.5" x 4" x 3.4mm)
- 1/ea. Roller catch
- 1/set. Deadbolt lock with cylinder
- 1/ea. Pull Handle (36" standard)

Standard Aluminium + Glass Finish:



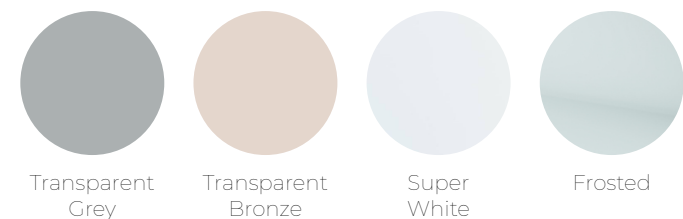
Optional Door

- Solid panel at lower part of the door
- Size: 36-38" W x Up to 96" H

Optional Door Hardware:

- 1/set. Deadlatch lock with cylinder
- 1/set. Pivot hinges
- 1/set. Various lever design options in different finishes (see catalogue for lever options)

Optional Glass Finish:



3. ALUMINIUM FRAMED GLASS DOOR



(SLIDING)

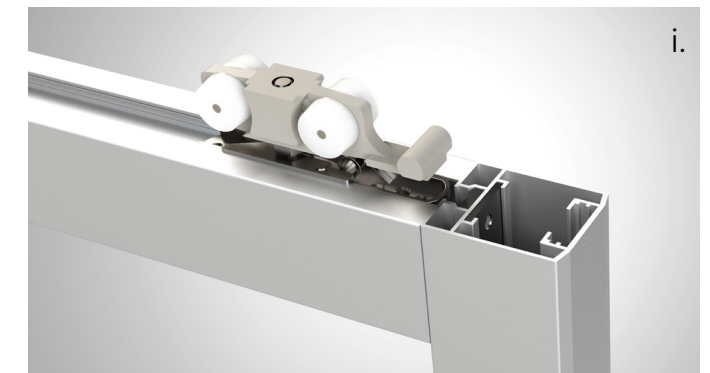
Standard Door

- 6mm laminated glass and Extruded aluminium frame composed of stiles, rails and retainers
- Sizes: 36-38" W x 84" H

Door Hardware:

- 1/set. Roller kits with ball-bearing wheels (available in various door weight classes)
- 1/set. Deadbolt lock with cylinder
- 1/ea. Pull Handle (36" standard)

Standard Aluminium + Glass Finish:



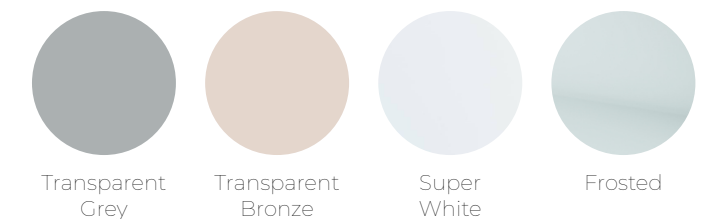
Optional Door

- Solid panel at lower part of the door
- Size: 36-38" W x Up to 96" H

Optional Door Hardware:

- 1/set. Deadlatch lock with cylinder
- 1/set. Various lever design options in different finishes (see catalogue for lever options)

Optional Glass Finish:



4. WOOD DOOR (SWING)



Standard Door:

- Honeycomb veneered panels with HD boards coated with laminated finish, 44mm thick
- Standard Sizes: 36-38" W x 84" H

Door Hardware:

- 3/ea. Standard weight, 2 ball bearing, steel hinges (4.5" x 4" x 3.4mm)
- 1/set. Mortise lock, Office function with cylinder
- 1/set. Levers

Standard Wood Finishes:



Bianco 48 Rovere Naturale 05 Antracite 45 Noce F 67

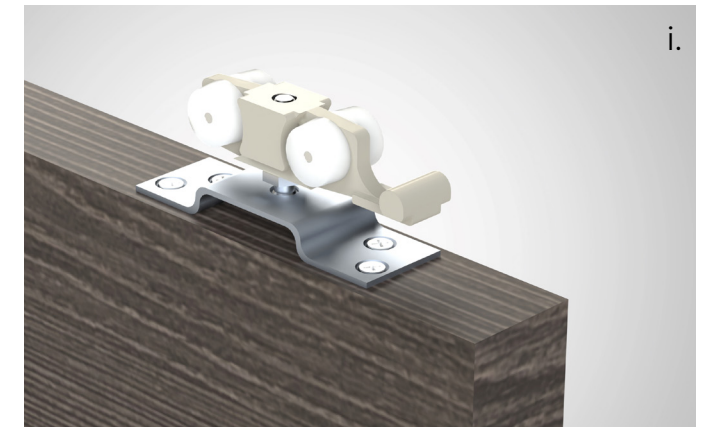
Optional Door

- Semi-solid panels with HD boards coated with laminated finish, 44mm thick
- Size: 36-38" W x Up to 96" H

Optional Door Hardware:

- 1/set. Various lever design options in different finishes (see catalogue for lever options)

5. WOOD DOOR (SLIDING)



Standard Door:

- Honeycomb veneered panels with HD boards coated with laminated finish, 44mm thick
- Standard Sizes: 36-38" W x 84" H

Door Hardware:

- 1/set. Roller kits with ball-bearing wheels (available in various door weight classes)
- 1/set. Lock with strike, privacy thumb turn, emergency release and door pull

Standard Wood Finishes:



Bianco 48 Rovere Naturale 05 Antracite 45 Noce F 67

Optional Door

- Semi-solid panels with HD boards coated with laminated finish, 44mm thick
- Size: 36-38" W x Up to 96" H

Optional Door Hardware:

- 1/set. Various door pull design options in different finishes (see catalogue for options)

TRACKS		
1	LIN 6200-101 Wall & Floor Starter	
2	LIN 6200-103 Starter Track for Glass, Half Track	
3	LIN 6200-604 Starter Track for Glass	
DOOR STILE / RAILS		
4	LIN 6200-685 Door Rail	
5	LIN 6200-685-B Beveled Door Stile	
6	LIN 6200-701 Beveled Door Stile	
7	LIN 6200-702 Door Rail	
8	LIN 6200-703 Door Rail for Closers	

DOOR FRAME TRACKS		
9	LIN 6200-601 Door Frame with Stopper	
10	LIN 6200-602 Door Frame	
11	LIN 6200-603 Door Frame Starter	
12	LIN 6200-609 Sliding Door Stopper	
13	LIN 6200-801 Sliding Door Frame Track	
FASCIA		
14	LIN 6200-607 Fascia	
15	LIN 1480 Sliding Track Fascia	

GASKETS		
16	LIN Art. 1791 Art. 1793 Art. 1795 Frameless Clear Gasket	
17	LIN 6200-411 Glass Gasketing	
18	Brush Gasket for Door Stopper	
CONNECTORS + CAPS		
19	LIN 6200-101-C Corner Floor Track Connector	
20	LIN 6200-101-T Three-way Floor Track Connector	
21	LIN 6200-604-C Corner Starter Track Connector	
22	LIN 6200-604-T Three-way Starter Track Connector	
23	ART. 1401 Fascia Cap for Sliding Track	

ADJUSTERS		
23	LIN 6200-521 Floor Track Adjuster	
24	LIN 6200-522 Glass Lift Adjuster	
HARDWARE + HARDWARE BRACKETS		
25	LIN 6200-158 Strike & Dust Box Bracket	
26	LIN 6200-159 Hinge Plate Bracket	
27	LIN 6200-501 NA Hinge Mounting Plate for 6200-685	
28	LIN 6200-502 Pivot Hinge Bracket for 6200-685	
29	LIN 6200-503 Lock Screw Adapter for NA Mortise	

HARDWARE + HARDWARE BRACKETS		
30	LIN 6200-504 Lock Screw Adapter for MAG Mortise (6200-685)	
31	LIN 6200-506-B Bottom Pivot Hinge Mount	
32	LIN 6200-506-T Top Pivot Hinge Mount	
33	LIN 6200-507 Lock Screw Adapter for MAG Mortise (LIN1684)	
34	LIN 6200-510-B Bottom Mounting Bracket for MAG Strike	
35	LIN 6200-510-T Top Mounting Bracket for MAG Strike	
36	LIN 6200-511 Floor Bracket	
37	LIN 6200-512 Corner Bracket for Door Frame	
38	LIN 6200-513 Frame Locator Bracket	

HARDWARE + HARDWARE BRACKETS		
39	LIN 6200-709 Connector Bracket for 6200-700's Doors	
40	LIN 6200-711 Connector Plate for 6200-700's Doors	
41	LIN 6200-712 Holding Bracket for Closer	
42	LIN 6200-713 NA Hinge Mounting Plate for 6200-701	
43	LIN 6200-714 Holding Bracket for Roller Catch & Deadbolt Lock for 6200-701	

LINEAR

INTERIOR SYSTEMS INC.

Linear Interior Systems Inc.
20 Alex Avenue
Woodbridge, ON, L4L 5X1
CANADA

Tel: +1 (905) 265-0055
Fax: +1 (905) 265-0035

www.linearinteriorsystems.com
Info@linearinteriorsystems.com